

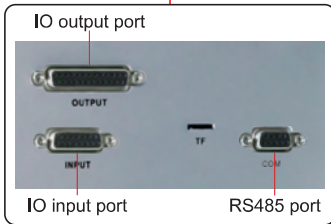
INTELLIGENT ELECTRIC TIGHTENING WRENCHES (CURRENT CONTROL)

ATTENTION: TORQUE TESTERS (OPTIONAL) ARE NEEDED FOR CALIBRATION BEFORE USE

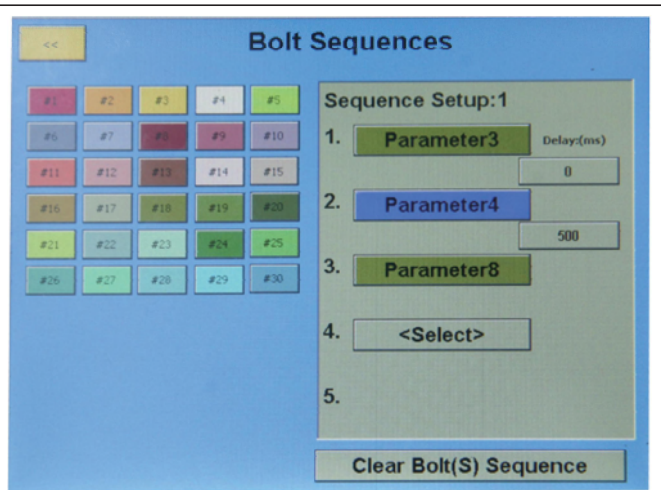
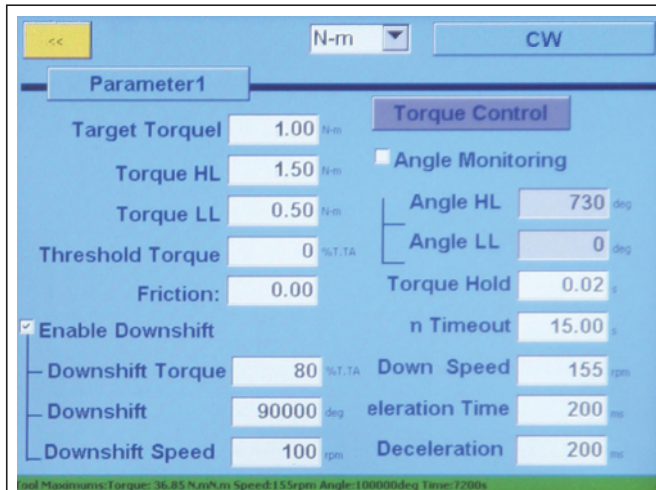
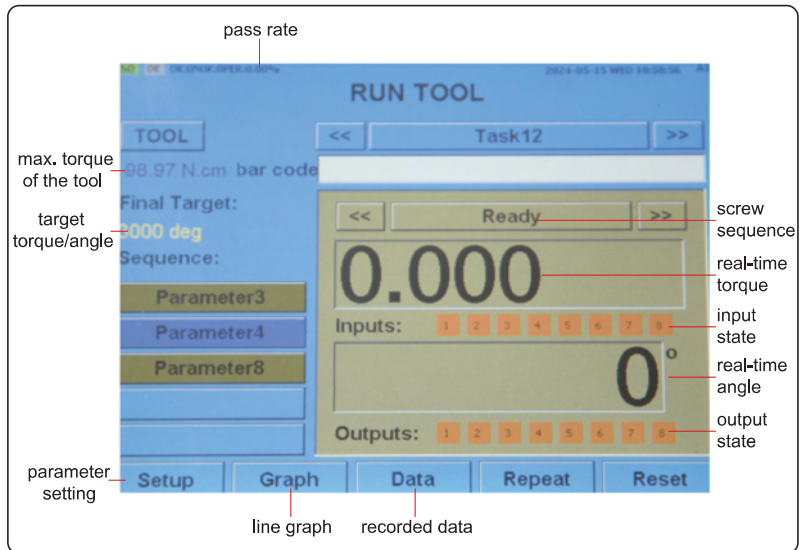
ATTENTION: USED WITH BALANCE ARMS OR MOUNTED ON MACHINES

ATTENTION: SPEED SHOULD BE BELOW 100RPM WHEN TIGHTENING IS ENDED

controller (included)

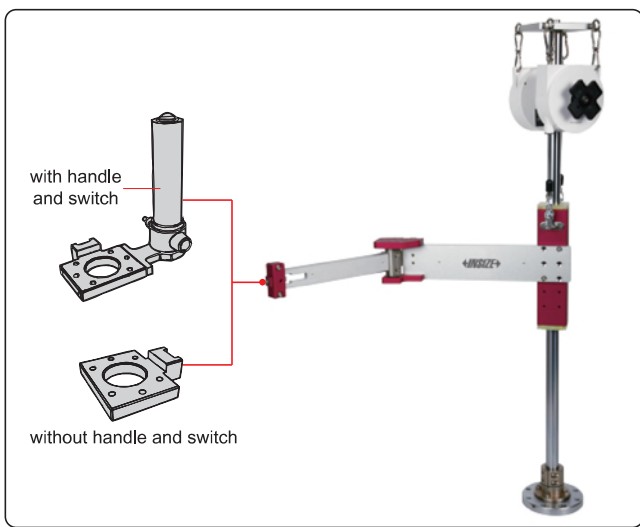


- Highly efficient heat dissipation setting, low noise handling and long service life
- 90W permanent magnet synchronous servo motor and high-precision reducer power transmission mechanism
- High-precision angle sensor (resolution 1°) and built-in servo drive
- Provide precise control of torque, angle, speed and etc.
- 12 task modes, each task can be configured with 8 different parameters
- Provide graphical tool for process optimization and diagnostic
- Provide programmable IO for process control and RS485 communication for data transmission, can connect to MES system
- Locked data is stored in EXCEL on the hard disk for 600 days
- Controller is equipped with physical buttons for assisted operation and LED light and buzzer for dual alarms

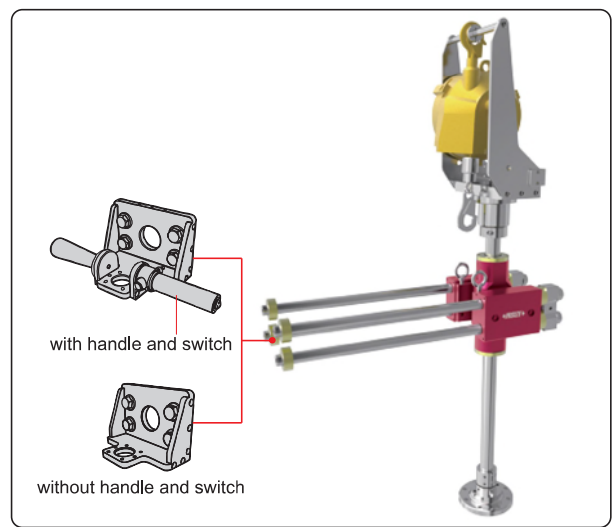


interface of tightening parameter setting

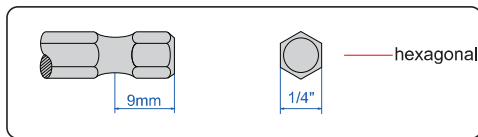
interface of screw sequence matching parameters



light load balance arm (optional)



heavy load balance arm (optional)



hexagonal screwdriver head (optional)

(can be customized: cross, flathead, hexagonal, star-shaped)



square wrench socket (optional)

SPECIFICATION

Code	HES-L700A	HES-L120A	HES-L230A	HES-L420A	HES-L120B	HES-L230B	HES-L420B	
Torque range	2.00~7.00N.m	4.00~12.0N.m	7.00~23.0N.m	12.0~42.0N.m	4.00~12.0N.m	7.00~23.0N.m	12.0~42.0N.m	
Type	type A				type B			
Max. speed	900rpm	400rpm	220rpm	130rpm	400rpm	220rpm	130rpm	
Applicable screw outside diameter	4.0~7.0mm	5.5~8.0mm	6.0~10.0mm	7.0~12.0mm	5.5~8.0mm	6.0~10.0mm	7.0~12.0mm	
Applicable wrench head	1/4" hexagonal		3/8" square	1/2" square	1/4" square	3/8" square	1/2" square	
Activation mode	additional start switch is required				with start switch			
Torque accuracy	±5% at 30%~80% of maximum output torque, ±8% in other range							
Display operation interface	touch screen menu operation mode, 3 function buttons+3 LED indicators							
Power supply	AC 200~230V±10%, 50/60HZ							
Dimension	electric wrench	266.5×73×42.5mm	283.5×73×42.5mm	333×58×58mm	340×58×58mm	465×73×47.5mm	494×58×58mm	501×58×58mm
	controller	235×160×345mm						
Weight	electric wrench	1100g	1100g	1920g	1980g	2600g	2600g	2600g
	controller	5500g						

STANDARD DELIVERY

Electric tightening wrench	1pc
Controller	1pc
USB transmission cable	1pc

OPTIONAL ACCESSORY

1/4" hexagonal screwdriver head	
Square wrench socket	IST-S series
Light load balance arm (with handle and switch)	HES-L-X1 (suitable for HES-L700A, HES-L120A, HES-L230A)
Heavy load balance arm (with handle and switch)	HES-L-X2 (suitable for HES-L420A)
Light load balance arm (without handle and switch)	HES-L-X3 (suitable for HES-L120B, HES-L230B)
Heavy load balance arm (without handle and switch)	HES-L-X4 (suitable for HES-L420B)
QR code scanner	7328-SCAN
Static torque sensor (for calibration before use)	IST-NJ series
Handheld torque indicator (for calibration before use)	ISF-DG4 (necessary for IST-NJ series)
Buffer (for calibration before use)	IST-NJ-BF series